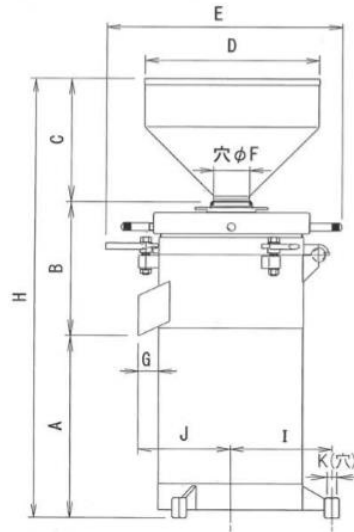


# SOUR BOY / Stainless (SERAMIC STONE)

- ◎All Stainless 304 (Contact Liquid) sanitary and Long machine life.
- ◎Can wash by caustic soda
- ◎Kneading and grinding : original grinding method,  
Not generate “Shear stress” and “Burning”  
We can get smooth soy bean paste.



Type	Motor kW	Voltage	Stone	Capacity Dry base (kg/hour)
NSG-15TS	1.5	200V 3phase	Ceramic $\phi$ 205	132kg/hour
NSG-22TS	2.2	200V 3phase	Ceramic $\phi$ 225	210kg/hour
NSG-37SC	3.7	200V 3phase	Ceramic $\phi$ 265	300kg/hour
NSG-75SII	7.5	200V 3phase	Ceramic $\phi$ 305	420kg/hour
NSG-110S	11	200V 3phase	Ceramic $\phi$ 345	600kg/hour
NSG-150S	15	200V 3phase	Ceramic $\phi$ 380	810kg/hour

Capacity Data : Soymilk concentrate Brix=10% /reference value  
Data of using soybean Constant supply feeder. (If use manual, possibility of over load.)

Type	A	B	C	D	E	F	G	H	I	J	K	Weight
NSG-15TS	450	318	314	$\phi$ 430	484	86	60	1082	210	193	M16	72kg
NSG-22TS	450	318	314	$\phi$ 430	484	86	60	1082	210	193	M16	82kg
NSG-37SC	450	340	309	$\phi$ 430	567	89.3	73	1099	225	233	M24	130kg
NSG-75SII	500	332	309	$\phi$ 430	582	89.3	50	1091	250	228	M24	180kg
NSG-110S	550	337	275	$\phi$ 430	620	138	50	1251	275	153	M24	235kg
NSG-150S	600	443	275	$\phi$ 430	649	138	50	1413	300	279	M24	260kg

Type :Model MSG-22TS

**Inquiry to ; Matsubo Corporation Indonesia**  
Wisma Keiai 7F, Jl. Jend. Sudirman Kav.3 Jakarta,  
Indonesia 10220  
TEL 021-572-4376,  
Email: eman.jokosufianto@kobelco-matsubo.com

